

QM10HB-2H

DRIVE USE FOR HIGH POWER TRANSISTOR
INSULATED TYPE

QM10HB-2H



- **IC** Collector current **10A**
- **V_{CEX}** Collector-emitter voltage **1000V**
- **h_{FE}** DC current gain **5**
- **Insulated Type**
- **UL Recognized**

Yellow Card No. E80276 (N)

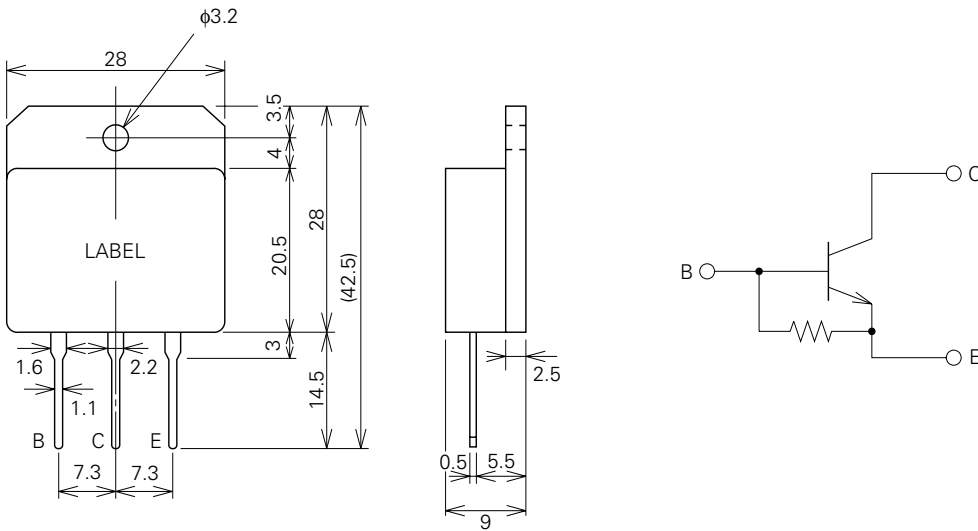
File No. E80271

APPLICATION

Base driver for High voltage transistor modules

OUTLINE DRAWING & CIRCUIT DIAGRAM

Dimensions in mm



QM10HB-2H

DRIVE USE FOR HIGH POWER TRANSISTOR

INSULATED TYPE

ABSOLUTE MAXIMUM RATINGS (T_j=25°C, unless otherwise noted)

Symbol	Parameter	Conditions	Ratings	Unit
V _{CEX (SUS)}	Collector-emitter voltage	I _C =1A, V _{EB} =2V	1000	V
V _{CEX}	Collector-emitter voltage	V _{EB} =2V	1000	V
V _{CBO}	Collector-base voltage	Emitter open	1000	V
V _{EBO}	Emitter-base voltage	Collector open	7	V
I _C	Collector current	DC	10	A
P _C	Collector dissipation	T _C =25°C	100	W
I _B	Base current	DC	2	A
T _j	Junction temperature		-40~+150	°C
T _{stg}	Storage temperature		-40~+125	°C
V _{iso}	Isolation voltage	Charged part to case, AC for 1 minute	2500	V
—	Mounting torque	Mounting screw M3	0.59~0.98	N·m
—			6~10	kg·cm
—	Weight	Typical value	40	g

ELECTRICAL CHARACTERISTICS (T_j=25°C, unless otherwise noted)

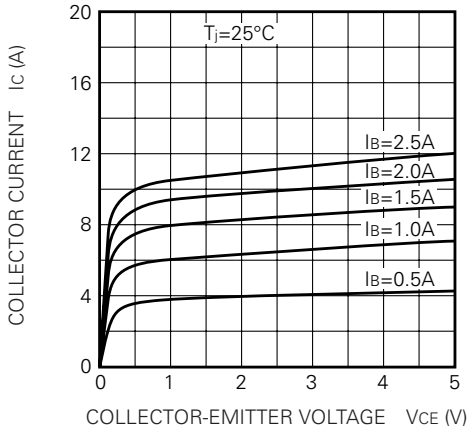
Symbol	Parameter	Test conditions	Limits			Unit
			Min.	Typ.	Max.	
I _{CEX}	Collector cutoff current	V _{CE} =1000V, V _{EB} =2V	—	—	1.0	mA
I _{CBO}	Collector cutoff current	V _{CB} =1000V, Emitter open	—	—	1.0	mA
I _{EBO}	Emitter cutoff current	V _{EB} =7V	—	—	150	mA
V _{CE (sat)}	Collector-emitter saturation voltage	I _C =5A, I _B =1A	—	—	1.0	V
V _{BE (sat)}	Base-emitter saturation voltage		—	—	1.5	V
h _{FE}	DC current gain	I _C =5A, V _{CE} =1V	5	—	—	—
t _{on}	Switching time	V _{CC} =600V, I _C =5A, I _{B1} =-I _{B2} =1A	—	—	1.5	μs
t _s			—	—	7.0	μs
t _f			—	—	2.0	μs
R _{th (j-c) Q}	Thermal resistance (junction to case)	Transistor part	—	—	1.2	°C/W
R _{th (c-f)}	Contact thermal resistance (case to fin)	Conductive grease applied	—	—	0.4	°C/W

QM10HB-2H

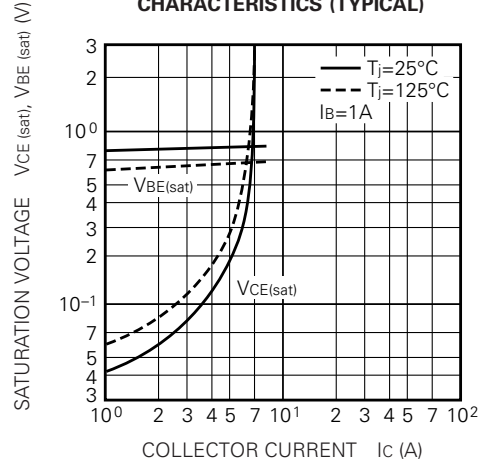
DRIVE USE FOR HIGH POWER TRANSISTOR
INSULATED TYPE

PERFORMANCE CURVES

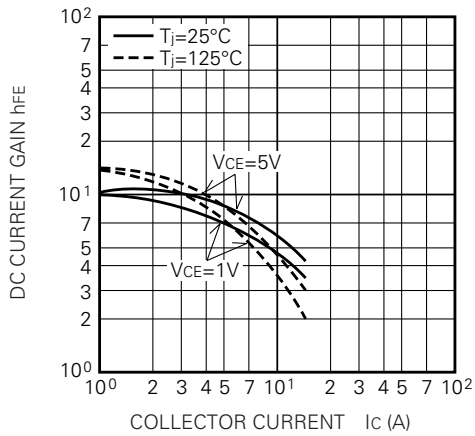
COMMON EMITTER OUTPUT CHARACTERISTICS (TYPICAL)



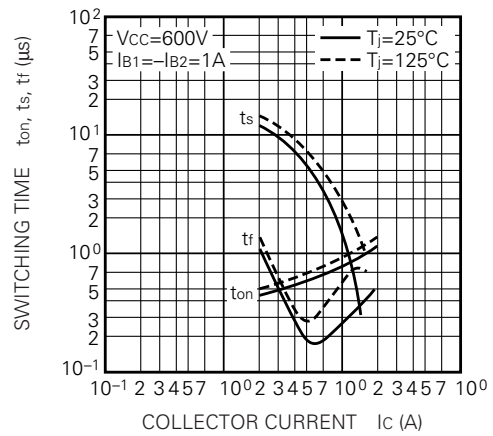
SATURATION VOLTAGE CHARACTERISTICS (TYPICAL)



DC CURRENT GAIN VS. COLLECTOR CURRENT (TYPICAL)



SWITCHING TIME VS. COLLECTOR CURRENT (TYPICAL)



This datasheet has been download from:

www.datasheetcatalog.com

Datasheets for electronics components.